



WWW.BARRYIND.COM

RM0402ZZ-XXXXWN-YY

Alumina or BeO

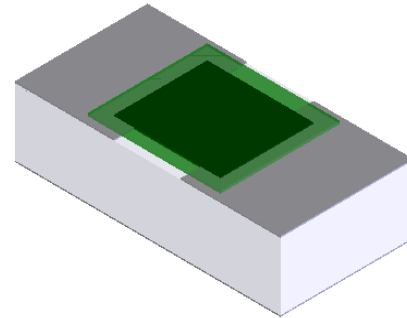
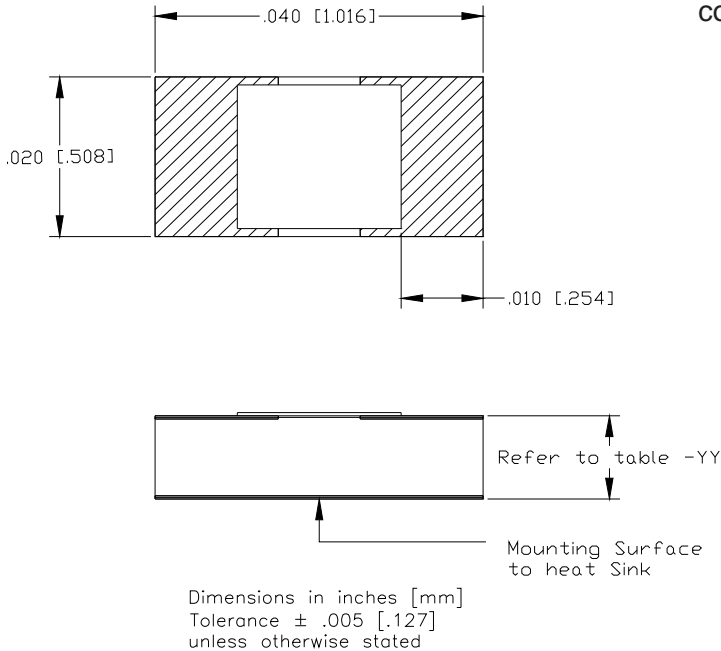
CHIP RESISTOR

Features:

- ◆ Alumina or BeO Material
- ◆ Back Metallization
- ◆ .1 to 1 Gohm

General Description:

The RM0402ZZ-XXXXWN-YY is a standard back metallization style chip resistor (.1 - 1 Gohm available). It offers a .70 - 3.00 watt input power, while maintaining a constant 100°C mounting surface temperature. Its compact size is ideal for miniature electronic components. ** See below for ordering options*



Resistor RM 0402 ZZ - XXXX WN - YY

Back Metallization

Size Ohms

Inspection

Tolerance

Thickness and Material

0.5....R 500	-90 = .010" Alumina (1.25 Watts)
1.....1 R 00	-91 = .015" Alumina (1.00 Watt)
10.....10 R 0	-93 = .025" Alumina (0.70 Watts)
50.....50 R 0	-95 = .010" BeO (3.00 Watts)
100...1000	-96 = .015" BeO (3.00 Watts)
150...1500	-98 = .025" BeO (1.75 Watts)
1K....1001	
10K...1002	
100K...1003	
470K...4703	
1M....1004	

Inspection
C - Customer Print
N - Normal Inspection
T - Special

Tolerance
F - 1%
G - 2%
J - 5%
K - 10%

Thickness and Material
-90 = .010" Alumina (1.25 Watts)
-91 = .015" Alumina (1.00 Watt)
-93 = .025" Alumina (0.70 Watts)
-95 = .010" BeO (3.00 Watts)
-96 = .015" BeO (3.00 Watts)
-98 = .025" BeO (1.75 Watts)

DERATING CURVE:

Barry Industries reserves the right to change part number and or process without notification.

Barry Industries, Inc., 60 Walton St., Attleboro, MA 02703 T: 508-226-3350 F: 508-226-3317 E-mail: ABSales@Vishay.com

Barry Industries maintains an ISO 9001 Certified Quality Management System

Origination Date	Revision Date	Rev.
10/27/08	04/27/09	B